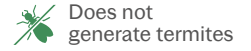
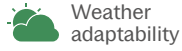
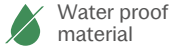


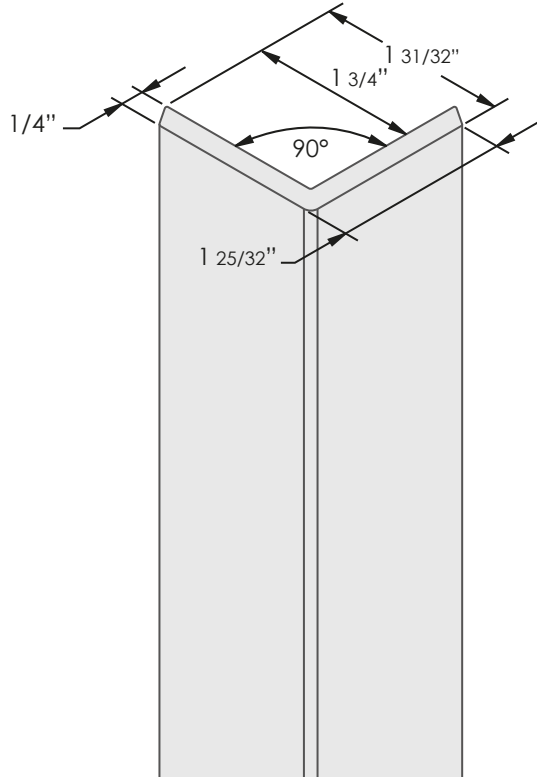
# TECHNICAL DATA SHEET

## Co-Extruded Angle Trim



### ISOMETRIC VIEW

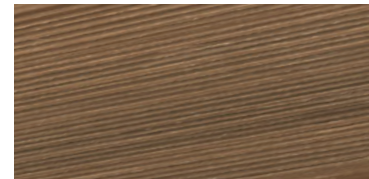
\*Inch dimensioning\*



### COLORS AVAILABLE



A13  
Teak  
Brushed



A42  
Walnut  
Brushed



A50  
Antique  
Brushed

### MATERIAL SPECIFICATIONS

Material:	WPC (Wood Plastic Composite)
Use:	Outdoor
Presentation:	Box
Pieces per Box:	5 Pieces
Ft <sup>2</sup> per Box:	47.57 ft <sup>2</sup>
Ft <sup>2</sup> per Piece:	9.51 ft <sup>2</sup>
Weight per Piece:	5.51 lb

### MATERIAL COMPOSITION AND PHYSICAL-CHEMICAL TESTS

Test Items	Results
Composition	50% Wood Fibres / 40% HDPE / 10% Chemical additives
Density gr/cm <sup>3</sup>	1.29 gr/cm <sup>3</sup>
Water absorption (28 days immersion)	4%
Linear thermal expansion	43.9x10 <sup>-6</sup> / C
Elastic recovery rate	81%
Formaldehyde content	No detected
Abrasion resistance	31 mg/1000r
Resistance to artificial weathering	After 2000 hours exposure ΔE*=0.61, Grey scale=4-5
Bending strength	15.55 MPA
Load deflection 500N	2.90 mm
Modulus of elasticity	1892 MPA
Load Capacity (Spacing 400 mm)	3751N
Impact resistance	4.2 KJ/m <sup>2</sup>
Fire classification	C-s1, d0

### DIMENSIONS

H: 1 25/32" / W: 1 25/32" / L: 9.51'

